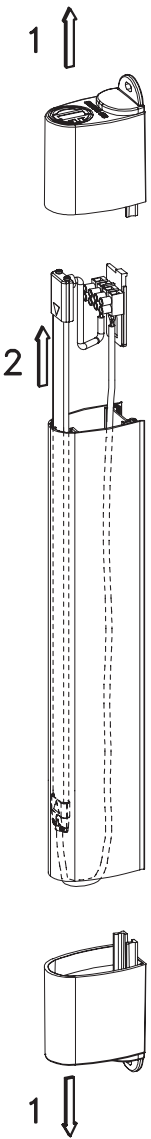
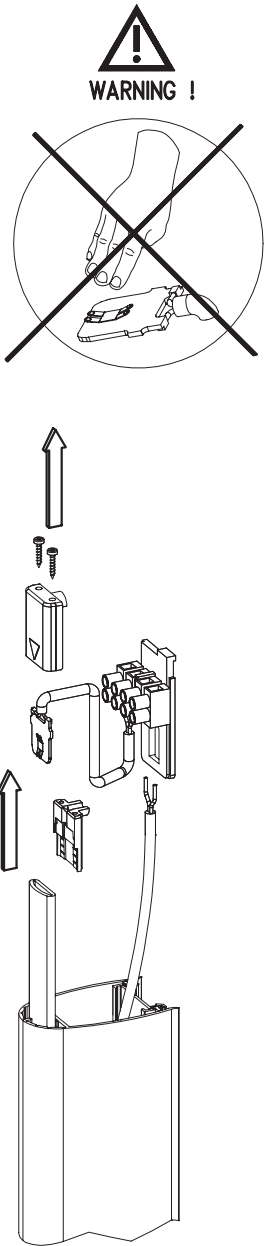


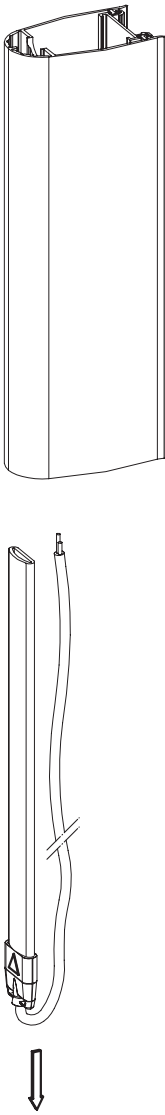
1



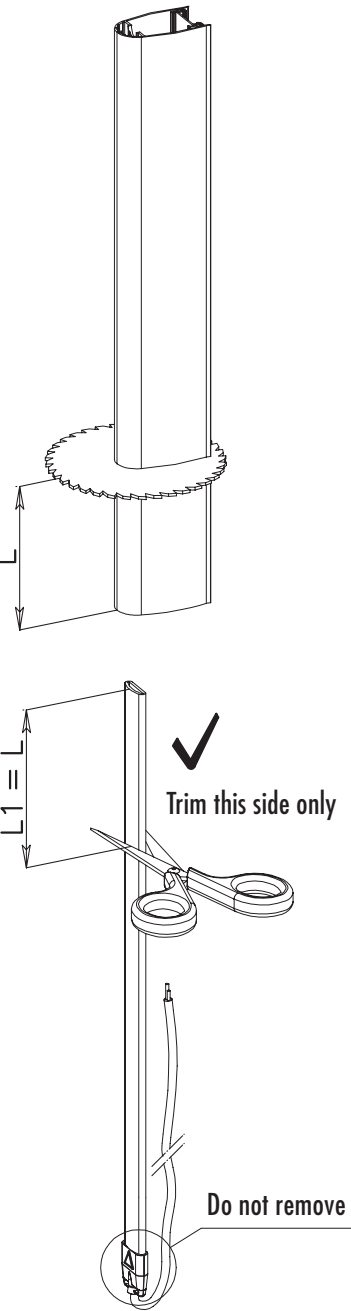
2



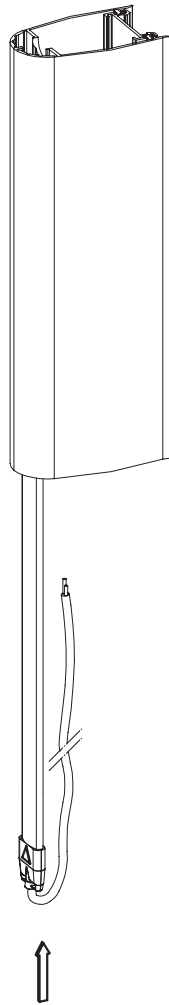
3



4

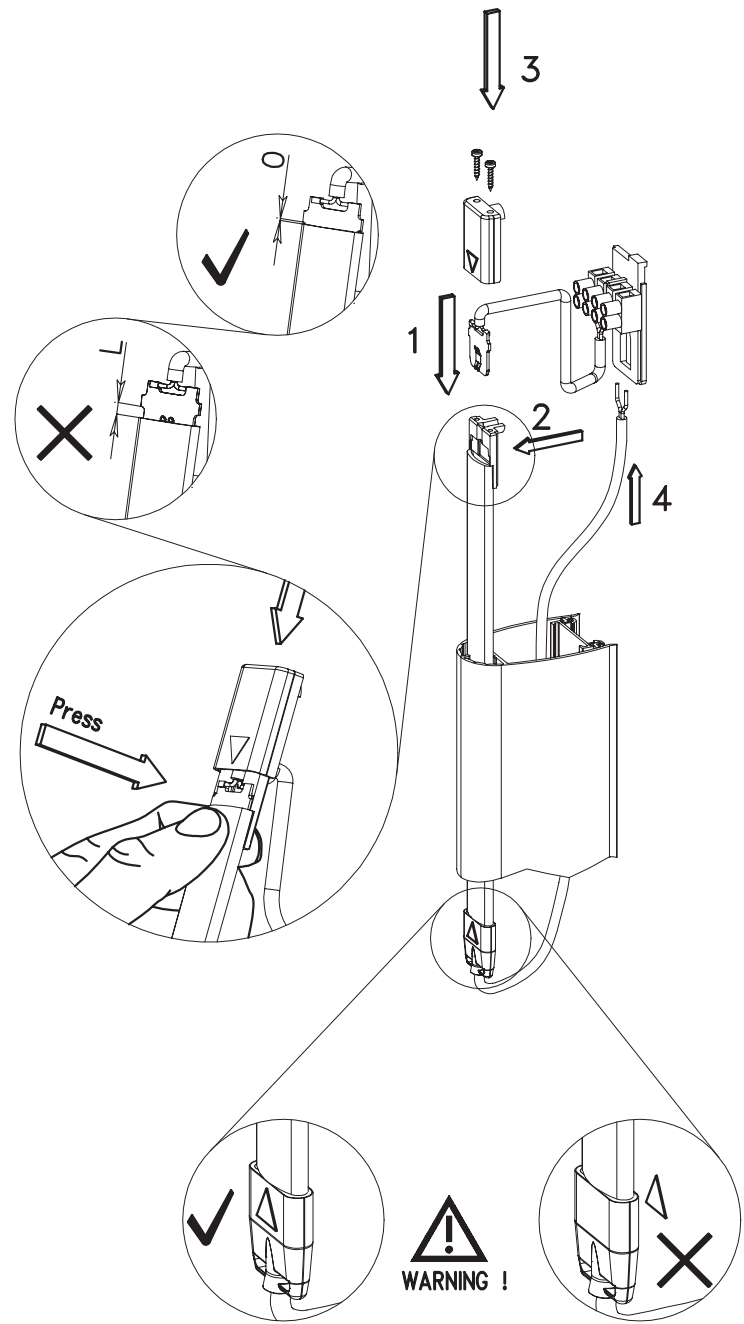


5

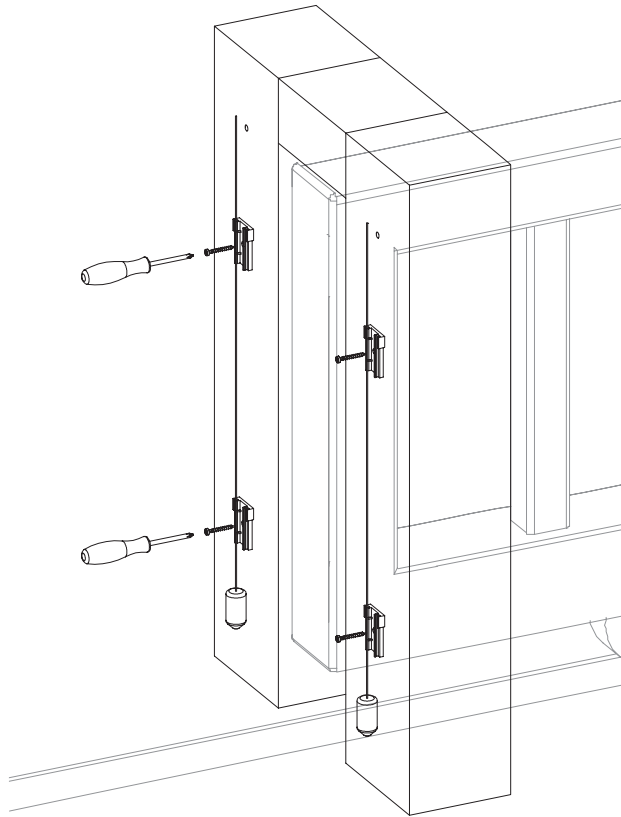


6

Follow strictly the assembly instructions from 1 to 4

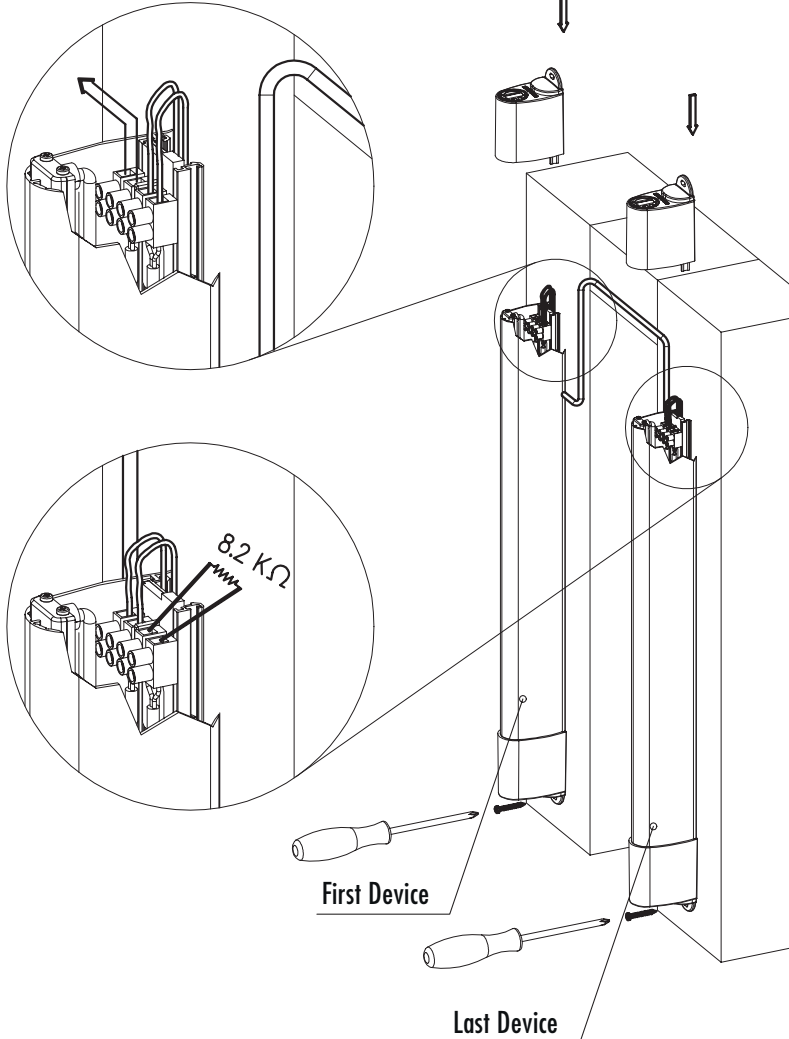


7



8

AUTOMATISM



9

